

Curtain Detectors Swivel Accessory Kit

Swivel Accessory Kit for Outdoor Curtain Detectors

RA107S00000A

- + Allows improvement of coverage range in places which wall mounting is limited by the ability to tilt and swivel the detector.
- + Flexible ceiling or wall installation options.
- + Compatible with RISCO wired and wireless outdoor curtain detectors.

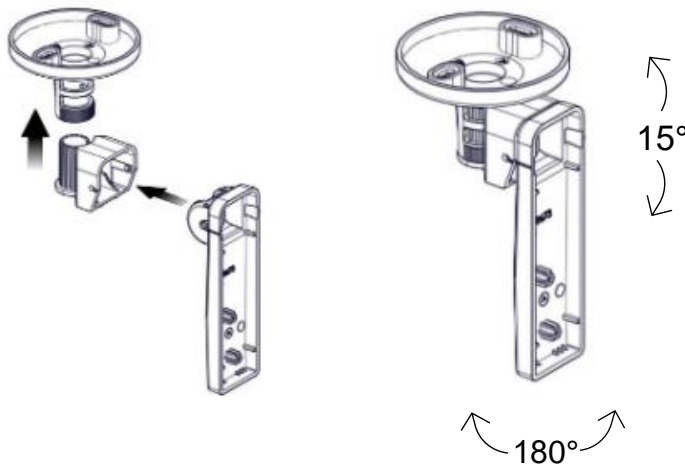


Introduction

The Swivel Accessory Kit for the Outdoor Curtain Detectors allows for a more flexible and convenient installation with the ability to swivel the detector to the sides to achieve a more comprehensive coverage range. In addition, the swivel kit allows for the first-time installation on the ceiling in addition to the wall allowing for maximum flexibility and adjustment to the limitations of the installation area.

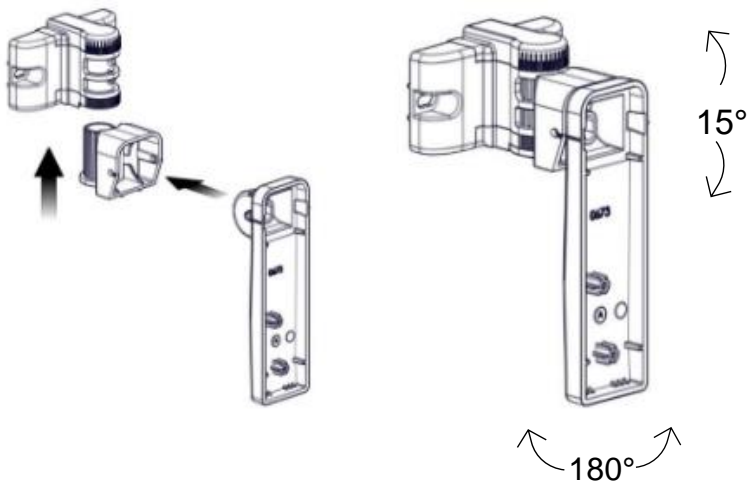
Ceiling swivel mounting

Allows for easy ceiling installations in places with limited space/option for wall installation. The swivel can be adjusted to the sides and up and down (15° tilt and 180° swivel) which allows more flexibility in installation



Wall swivel mounting

By using a swivel, you can create a gap between the wall and the detector, which allows for a better fit-in for installations where there is a limited wall or a section that does not allow full range coverage.





Ordering Information

- Curtain Outdoor Swivel Kit - RA107S00000A

RISCO'S supported detectors

- Wired Curtain DT AM - RK107DTB000A
- Wireless Curtain DT AM - RWX107DT400A

